

Admiral Class – Lead Wires

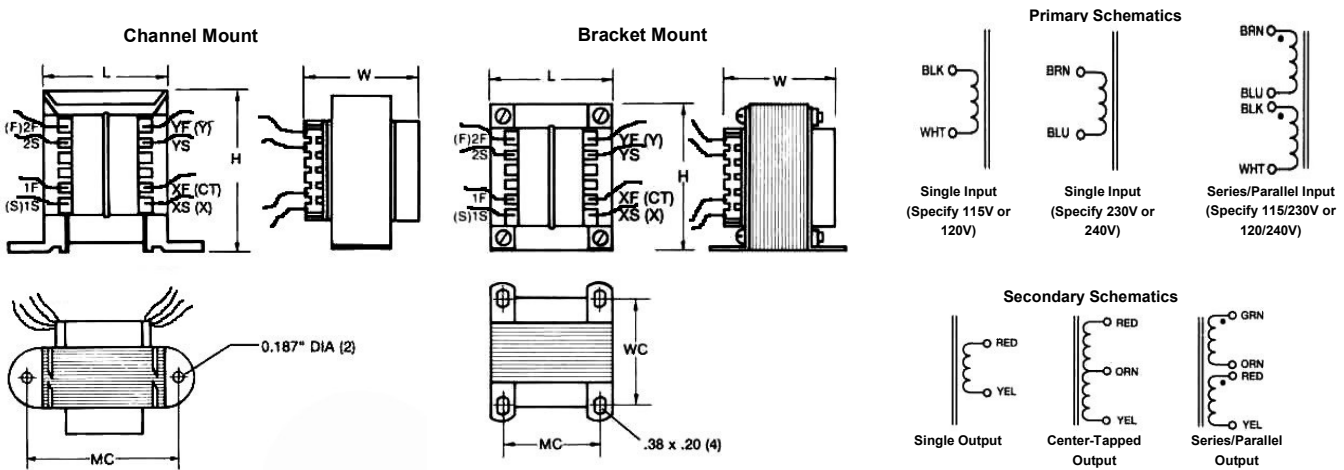
- Flame Retardant, UL 94V0 Rating
- High Efficiency
- 25VA to 175VA Power Rating
- Single or Dual Primary, 115V, 115/230V or 230V
(Optional 120, 120/240, 240, 120 with taps, 240 with taps, or 120/240 with taps)
- 50/60Hz (Economy 60Hz-only Models Available)
- Dual Secondary (Optional Single or Center-tapped)
- Any Secondary Voltage from 5V to 240V in 1V Increments
- Insulation Material 130°C Standard (Optional 200°C)
- Optional Internal Current or Thermal Protector
- High Isolation, 4000 Vrms, 100% Tested
- Color Coded Lead Wires

Flame Retardant Material



Agency Approvals:

- UL/cUL 5085-2 Recognized (File E47299)
- UL 60950 Recognized (File E144070)
- VDE 0805 Licensed (File 19019-3336-9002/A1C)
- UL 1446 Recognized Insulation system (File E95662)



VA Rating		Secondary Voltage	Dimensions (Inches)					
			L	W	H	Mounting	MC	WC
IL025	25VA	Parallel from 5V to 60V	1.95	2.13	2.31	Channel	2.38	-
IL043	43VA		2.26	2.13	2.68	Channel	2.81	-
IL080	80VA		2.50	2.50	3.00	Brackets	2.00	2.25
IL130	130VA	Series, single & center-tapped from 10V to 240V	2.81	3.08	3.38	Brackets	2.25	2.50
IL175	175VA		3.12	3.12	3.75	Brackets	2.50	2.50

Take advantage of these pre-designed models, or let us customize to your requirements. That's our specialty.

Admiral Class – Lead Wires



Partial Selection Guide (Standard Stock)

Part Number					
115V Primary	115/230V Primary	230V Primary	VA	Series Secondary	Parallel Secondary
IL025-1-010X	IL025-2-010X	IL025-3-010X	25	10VCT @ 2.5A	5V @ 5.0A
IL043-1-010X	IL043-2-010X	IL043-3-010X	43	10VCT @ 4.3A	5V @ 8.6A
IL080-1-010X	IL080-2-010X	IL080-3-010X	80	10VCT @ 8.0A	5V @ 16.0A
IL130-1-010X	IL130-2-010X	IL130-3-010X	130	10VCT @ 13.0A	5V @ 26.0A
IL175-1-010X	IL175-2-010X	IL175-3-010X	175	10VCT @ 17.5A	5V @ 35.0A
IL025-1-012X	IL025-2-012X	IL025-3-012X	25	12.6VCT @ 2.0A	6.3V @ 4.0A
IL043-1-012X	IL043-2-012X	IL043-3-012X	43	12.6VCT @ 3.4A	6.3V @ 6.8A
IL080-1-012X	IL080-2-012X	IL080-3-012X	80	12.6VCT @ 6.4A	6.3V @ 12.8A
IL130-1-012X	IL130-2-012X	IL130-3-012X	130	12.6VCT @ 10.3A	6.3V @ 20.6A
IL175-1-012X	IL175-2-012X	IL175-3-012X	175	12.6VCT @ 14.0A	6.3V @ 28.0A
IL025-1-016X	IL025-2-016X	IL025-3-016X	25	16VCT @ 1.6A	8V @ 3.2A
IL043-1-016X	IL043-2-016X	IL043-3-016X	43	16VCT @ 2.7A	8V @ 5.4A
IL080-1-016X	IL080-2-016X	IL080-3-016X	80	16VCT @ 5.0A	8V @ 10.0A
IL130-1-016X	IL130-2-016X	IL130-3-016X	130	16VCT @ 8.12A	8V @ 16.2A
IL175-1-016X	IL175-2-016X	IL175-3-016X	175	16VCT @ 11.0A	8V @ 22.0A
IL025-1-020X	IL025-2-020X	IL025-3-020X	25	20VCT @ 1.25A	10V @ 2.5A
IL043-1-020X	IL043-2-020X	IL043-3-020X	43	20VCT @ 2.15A	10V @ 4.30A
IL080-1-020X	IL080-2-020X	IL080-3-020X	80	20VCT @ 4.0A	10V @ 8.0A
IL130-1-020X	IL130-2-020X	IL130-3-020X	130	20VCT @ 6.5A	10V @ 13.0A
IL175-1-020X	IL175-2-020X	IL175-3-020X	175	20VCT @ 8.75A	10V @ 17.5A
IL025-1-024X	IL025-2-024X	IL025-3-024X	25	24VCT @ 1.0A	12V @ 2.0A
IL043-1-024X	IL043-2-024X	IL043-3-024X	43	24VCT @ 1.8A	12V @ 3.6A
IL080-1-024X	IL080-2-024X	IL080-3-024X	80	24VCT @ 3.3A	12V @ 6.6A
IL130-1-024X	IL130-2-024X	IL130-3-024X	130	24VCT @ 5.4A	12V @ 10.8A
IL175-1-024X	IL175-2-024X	IL175-3-024X	175	24VCT @ 7.3A	12V @ 14.6A
IL025-1-028X	IL025-2-028X	IL025-3-028X	25	28VCT @ 0.9A	14V @ 1.8A
IL043-1-028X	IL043-2-028X	IL043-3-028X	43	28VCT @ 1.5A	14V @ 3.0A
IL080-1-028X	IL080-2-028X	IL080-3-028X	80	28VCT @ 2.85A	14V @ 5.7A
IL130-1-028X	IL130-2-028X	IL130-3-028X	130	28VCT @ 4.6A	14V @ 9.2A
IL175-1-028X	IL175-2-028X	IL175-3-028X	175	28VCT @ 6.25A	14V @ 12.5A
IL025-1-036X	IL025-2-036X	IL025-3-036X	25	36VCT @ 0.7A	18V @ 1.4A
IL043-1-036X	IL043-2-036X	IL043-3-036X	43	36VCT @ 1.2A	18V @ 2.4A
IL080-1-036X	IL080-2-036X	IL080-3-036X	80	36VCT @ 2.2A	18V @ 4.4A
IL130-1-036X	IL130-2-036X	IL130-3-036X	130	36VCT @ 3.6A	18V @ 7.2A
IL175-1-036X	IL175-2-036X	IL175-3-036X	175	36VCT @ 4.9A	18V @ 9.8A

Over 365,000 additional Admiral Class (Lead Wires) model configurations available!

Refer to the Part Numbering Scheme on the next page to **configure your own part** with following options:

- Primary: 120V, 120/240V, 240V, 100/110/120V, 200/220/240V, 120/220/240V, 100/120/200/220/240V
- Secondary: 5V to 240V, in 1V increments
- Frequency: 50/60Hz, or economy 60Hz-only
- With or without current or thermal protector(s)
- Temperature Class: 130°C, or 200°C

Take advantage of these pre-designed models, or let us customize to your requirements. That's our specialty.



Admiral Class – Lead Wires

Examples:

IL056-2-824A = 56VA, Dual 120/240V (series/parallel) Primary, 50/60Hz, with 130°C thermal cutoff, Single 24V secondary
 IL056-2-824XA = Same as above except Primary 115/230V



Chassis Mount with Lead Wires, International	ILXXX	-X	XXX	X	-X
Rating:					
IL002 = 2.5VA	IL043 = 43VA				
IL005 = 5VA	IL056 = 56VA				
IL010 = 10VA	IL080 = 80VA				
IL020 = 20VA	IL130 = 130VA				
IL025 = 25VA	IL175 = 175VA				
IL030 = 30VA					
Primary Voltages:					
-1 = 120					
-2 = 120/240 Dual (series / parallel)					
-3 = 240					
-4 = 100/110/120					
-6 = 200/220/240					
-7 = 120/220/240					
-8 = 100/120/200/220/240					
Secondary Voltages (10 through 240, in 1V increments):					
010 through 240 = Dual Secondary (series / parallel) Number represents the voltage of the series connection. <i>Example: "024" = 12V (parallel) / 24V (series)</i>					
510 through 740 = Center-tapped Secondary Number represents the total voltage plus 500. <i>Example: "524" = 24V with center-tap (12V on each side)</i>					
810 through 1040 = Single Secondary Number represents the voltage plus 800. <i>Example: "824" = 24V</i>					
Indication of Adjustment in Primary Voltage:					
Blank = 120V, 120/240V or 240V, as selected above					
X = Primary 115V instead of 120 and/or 230V instead of 240V					
Optional Internal Protector					
Blank = No internal protector					
A through Z = Over-current and/or over-temperature protection (Contact for list of available protectors)					

Take advantage of these pre-designed models, or let us customize to your requirements. That's our specialty.